

CENTRE FEED DISPENSER

Wall mounted



DT0303
White epoxy finish



DT0303C
Bright finish



DT0303CS
Satin finish

General Description

- Manual centre feed paper towel dispenser, surface mounted, designed and manufactured by Mediclinics
- Robust and vandal-resistant, these dispensers are designed to be installed in any type of public washroom with high traffic of people. Models for a more efficient use of the paper and suitable for different washroom environments: gymnasiums, sports centers, hospitals and health centers, restaurants and similar type of installations; solutions even for use in different places.
- All these models have a front sliding door, especially designed for an easy paper replacement. They have been designed to facilitate and optimize the rational use of the paper, such as for example the toothed paper outlet that facilitates the paper cutting.
- All Mediclinics paper tower dispensers are supplied with a lock and special key for opening and screws.

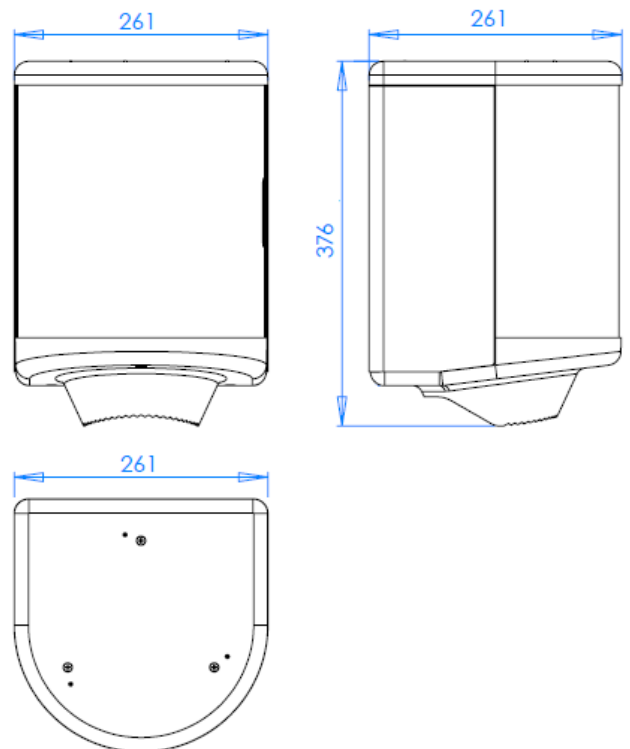
Components & materials

- **DT0303**: steel, white epoxy finish.
- **DT0303C**: stainless steel AISI 304, bright finish.
- **DT0303CS**: stainless steel AISI 304, satin finish.
- Body, 0.8 mm thick. It is mounted on the wall by means of 4 screws with their corresponding 6 mm wall plastic plugs.
- Seamless one-piece basis, 0.8 mm thick, welded to the body. It includes a teeth opening for the paper.
- Seamless one-piece sliding door, 0.8mm thick.
- Polyamide lid ring jointed to the top lid by means of 3 rivets.
- Polyamide door ring joint to the door by means of four screws. This ring rotates allowing the door slice from right to the left.
- High density polyethylene ring placed over the basis with a slot to put out the paper.

Technical specifications

Dimensions	261x376x261mm
Paper roll capacity	Max Ø250 mm
Paper height	Max 270 mm
Thickness of metal components	0.8 mm
Weight (empty)	3.1 Kg

Dimensions



Dimensions ±4%

MOUNTING TEMPLATE

130-160 cm at lower point. // 85-120 cm at lower point (for handicapped people)